

TCM SSL 703/704

Machine Specifications



Engine			SSL 703	SSL 704
Model				
Displacement		lit	0.778	0.778
Rated Power/ RPM		kW/rpm	11.5 / 2800	11.5 / 2800
Rated Torque/ RPM		Nm/rpm	43.1 / 2200	43.1 / 2200
Hydraulic Flow		lpm@rpm	25 / 2800	25 / 2800

SSL 703/704

270kg / 320kg Operating Cap
11.5kW (16HP) @ 2800rpm
25 lpm @ 2800rpm

Performance				
Tipping Load		kg	540	640
Rated Operating Capacity		kg	270	320
Ground Clearance (centre)		mm	155	155
Service Weight (with std bucket)		kg	1070	1120
Dump Height (full dump position)		mm	1815	1815
Reach-Fully raised (full dump position)		mm	470	470
Dump Angle (max.)		deg	40	40
Raising Time (Full Load)		sec	5.0	5.0
Lowering Time (No Load)		sec	3.5	3.5
Dump Time		sec	2.7	2.7
Travel Speed	Forward	km/h	9.0	9.0
	Reverse	km/h	9.0	9.0
Min. Turning radius, front with std bucket		mm	1665	1685
Gradeability	Unloaded	%	19	19
	Loaded	%	30	30

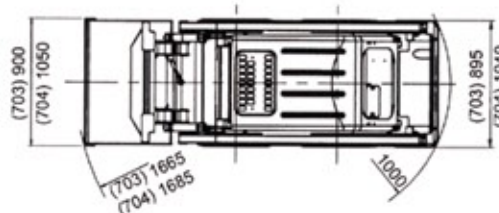
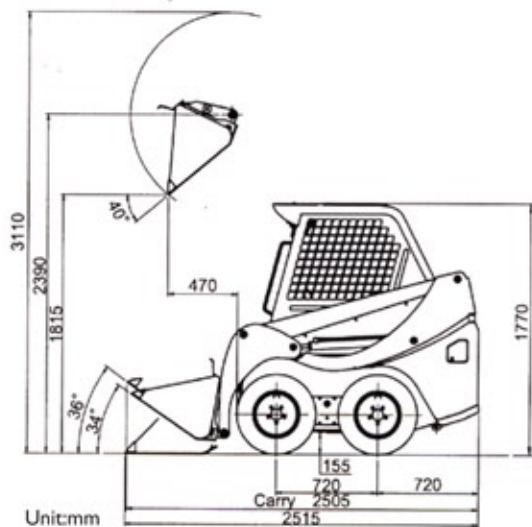
The TCM SSL Range is purpose built for the Australian market. As the market leader in Japan, the TCM SSL were designed and built to meet customer's needs and tough material handling requirements. Maintaining all the hallmarks of the TCM Industrial Forklift range, the SSL range enjoys excellent maneuverability and operator friendly features.

The 703 and 704 models are the narrowest of the seven models available, enabling tighter turning circles, and movement in restricted areas. The excellent dumping reach and clearance ensures higher job efficiency, while the low noise design and a roomy cabin guarantees a happier operator.

Controls				
Type		HST		
Steering		Forward, Reverse, variable speed. Two hand lever.		
Drive		Hydrostatic transmission with infinitely variable speed.		
Auxiliary (4 in 1 operation)		Hydraulic controlled. Right hand control lever.		
Fuel Capacity (litres)			20	20

Standard Features include:

- Pre-cleaner
- ROPS/FOPS (ISO) Guards
- Low emissions
- Big Load Capacity
- Hydraulic Bucket-Leveling
- TCM Quick Carrier
- Transparent Screen
- Front and Rear Working Lights
- Overhead Instrument Panel
- Loading Pedal Locking System



SSL
SKID STEER LOADER

Availability and Specifications are subject to change without notice. Please consult your local TCM Skid Steer Loader Dealer for terms & conditions.

TCM SSL Dealer Details:



1300 139 429

www.tcmssl.com.au