

TCM SSL 705/706

Machine Specifications



Engine			SSL 705	SSL 706
Model				
Displacement		lit	1.498	1.498
Rated Power/ RPM		kW/rpm	20.1 / 2400	20.1 / 2400
Rated Torque/ RPM		Nm/rpm	90.0 / 1600	90.0 / 1600
Hydraulic Flow		lpm@rpm	40 / 2400	40 / 2400
Performance				
Tipping Load		kg	860	1000
Rated Operating Capacity		kg	430	500
Ground Clearance (centre)		mm	170	170
Service Weight (with std bucket)		kg	1680	1750
Dump Height (full dump position)		mm	2130	2130
Reach-Fully raised (full dump position)		mm	480	480
Dump Anlge (max.)		deg	40	40
Raising Time (Full Load)		sec	4.3	4.3
Lowering Time (No Load)		sec	3.3	3.3
Dump Time		sec	2.3	2.3
Travel Speed	Forward	km/h	11.5	11.5
	Reverse	km/h	11.5	11.5
Min. Turning radius, front with std bucket		mm	2050	2090
Gradeability	Unloaded	%	17	18
	Loaded	%	30	30
Controls				
Type	HST			
Steering	Forward, Reverse, variable speed. Two hand lever.			
Drive	Hydrostatic transmission with infinitely variable speed.			
Auxiliary (4 in 1 operation)	Hydraulic controlled. Right hand control lever.			
Fuel Capacity (litres)			32	32

SSL 705/706

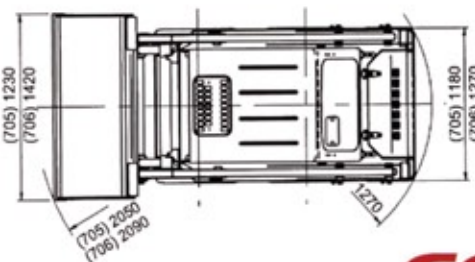
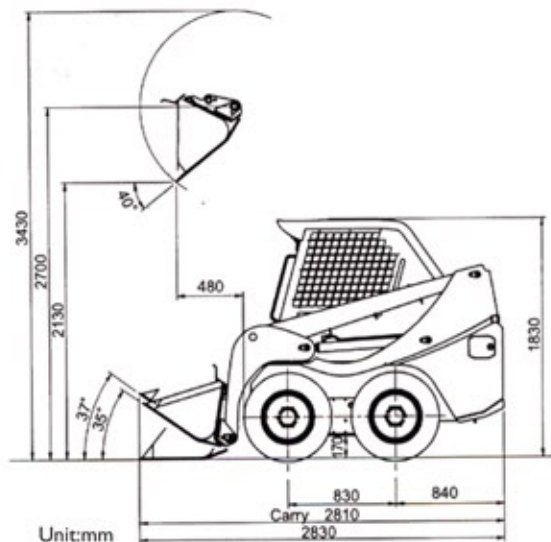
430kg / 500kg Operating Cap
20.1kW (27HP) @ 2400rpm
40 lpm @ 2400rpm

The TCM SSL Range is purpose built for the Australian market. As the market leader in Japan, the TCM SSL were designed and built to meet customer's needs and tough material handling requirements. Maintaining all the hallmarks of the TCM Industrial Forklift range, the SSL range enjoys excellent maneuverability and operator friendly features.

The 705 and 706 models are the backed by the VI505 Kubota Diesel engine, ensuring a robust, heavy-duty machine. The excellent dumping reach and clearance ensures higher job efficiency, while the low noise design and roomy cabin guarantees a happier operator.

Standard Features include:

- Dual Element Air Cleaner
- ROPS/FOPS (ISO) Guards
- Low emissions
- Big Load Capacity
- Hydraulic Bucket-Leveling
- TCM Quick Carrier
- Transparent Screen
- Front and Rear Working Lights
- Overhead Instrument Panel
- Loading Pedal Locking System



SSL
SKID STEER LOADER

Availability and Specifications are subject to change without notice. Please consult your local TCM Skid Steer Loader Dealer for terms & conditions.

TCM SSL Dealer Details:

TCM
 A Hitachi Company

1300 139 429

www.tcmssl.com.au