

TCM SSL 709V

Machine Specifications



| Engine | | | |
|-------------------|--|---------|-----------------|
| Model | | | SSL 709V |
| Displacement | | lit | 3.318 |
| Rated Power/ RPM | | kW/rpm | 47.8 / 2500 |
| Rated Torque/ RPM | | Nm/rpm | 210.7 / 1800 |
| Hydraulic Flow | | lpm@rpm | 55 / 2400 |

| Performance | | | |
|--|----------|------|--------|
| Tipping Load | | kg | 1420 |
| Rated Operating Capacity | | kg | 710 |
| Ground Clearance (centre) | | mm | 185 |
| Service Weight (with std bucket) | | kg | 2750 |
| Dump Height (full dump position) | | mm | 2200 |
| Reach-Fully raised (full dump position) | | mm | 610 |
| Dump Angle (max.) | | deg | 37 |
| Raising Time (Full Load) | | sec | 4.9 |
| Lowering Time (No Load) | | sec | 3.0 |
| Dump Time | | sec | 2.8 |
| Travel Speed | Forward | km/h | 12.0 |
| | Reverse | km/h | 12.0 |
| Min. Turning radius, front with std bucket | | mm | 2300.0 |
| Gradeability | Unloaded | % | 17 |
| | Loaded | % | 30 |

| Controls | | | |
|------------------------------|--|--|----|
| Type | HST | | |
| Steering | Forward, Reverse, variable speed. Two hand lever. | | |
| Drive | Hydrostatic transmission with infinitely variable speed. | | |
| Auxiliary (4 in 1 operation) | Hydraulic controlled. Right hand control lever. | | |
| Fuel Capacity (litres) | | | 75 |

SSL 709V

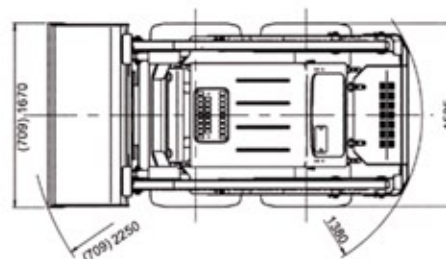
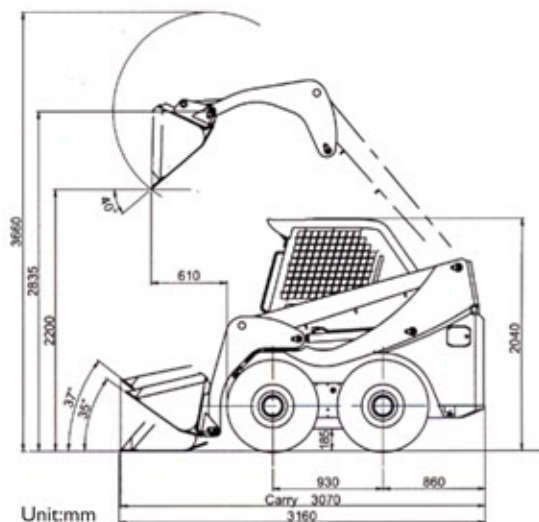
710kg Operating Cap.
47.8kW (64HP) @ 2500rpm
55lpm @ 2400rpm

The TCM SSL Range is purpose built for the Australian market. As the market leader in Japan, the TCM SSL were designed and built to meet customer's needs and tough material handling requirements. Maintaining all the hallmarks of the TCM Industrial Forklift range, the SSL range enjoys excellent maneuverability and operator friendly features.

The 709V is the true heavy-duty work horse of the range that can tackle any challenge. The excellent dumping reach and clearance ensures higher job efficiency while the low noise design and roomy cabin that guarantees a happier operator.

Standard Features include:

- Pre-cleaner
- Dual Element Air Cleaner
- ROPS/FOPS (ISO) Guards
- Low emissions
- Big Load Capacity
- Hydraulic Bucket-Leveling
- TCM Quick Carrier
- Transparent Screen
- Front and Rear Working Lights
- Overhead Instrument Panel
- Loading Pedal Locking System



Availability and Specifications are subject to change without notice. Please consult your local TCM Skid Steer Loader Dealer for terms & conditions.

TCM SSL Dealer Details:



1300 139 429

www.tcmssl.com.au