

TCM SSL 711

Machine Specifications



Engine			
Model			SSL 711
Displacement		lit	3.318
Rated Power/ RPM		kW/rpm	47.8 / 2500
Rated Torque/ RPM		Nm/rpm	220.1 / 1400
Hydraulic Flow		lpm@rpm	69 / 2500
Performance			
Tipping Load		kg	1680
Rated Operating Capacity		kg	840
Ground Clearance (centre)		mm	220
Service Weight (with std bucket)		kg	3340
Dump Height (full dump position)		mm	2400
Reach-Fully raised (full dump position)		mm	680
Dump Angle (max.)		deg	40
Raising Time (Full Load)		sec	5.2
Lowering Time (No Load)		sec	4.0
Dump Time		sec	2.9
Travel Speed	Forward	km/h	10.0
	Reverse	km/h	10.0
Min. Turning radius, front with std bucket		mm	2400.0
Gradeability	Unloaded	%	26
	Loaded	%	30
Controls			
Type	HST		
Steering	Forward, Reverse, variable speed. Two hand lever.		
Drive	Hydrostatic transmission with infinitely variable speed.		
Auxiliary (4 in 1 operation)	Hydraulic controlled. Right hand control lever.		
Fuel Capacity (litres)			75

SSL 711

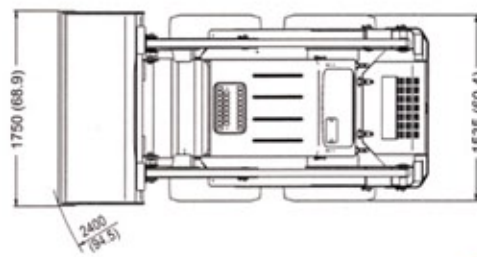
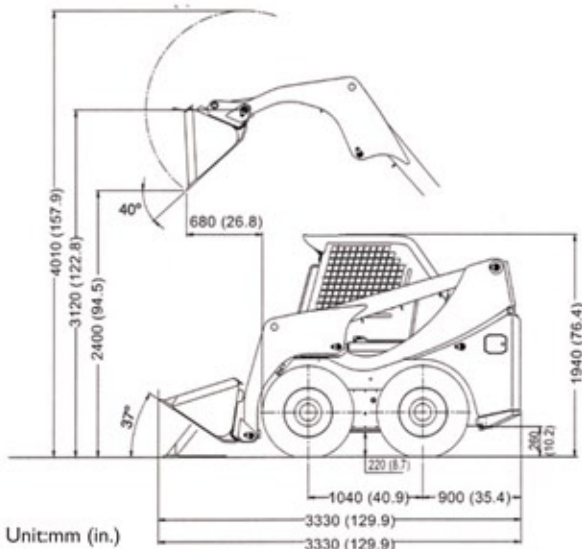
840kg Operating Cap
47.8kW (64HP) @ 2500rpm
69lpm @ 2500rpm

The TCM SSL Range is purpose built for the Australian market. As the market leader in Japan, the TCM SSL were designed and built to meet customer's needs and tough material handling requirements. Maintaining all the hallmarks of the TCM Industrial Forklift range, the SSL range enjoys excellent maneuverability and operator friendly features.

The largest of the Skid Steers, the 711 has enough grunt to blow any challenge away. Powered by the V3300 Kubota Diesel Engine, and with a 0.40m³ Bucket Capacity and Rated operating capacity of 840kg, the 711 is the beast of TCM Skid Steer Loaders. The excellent dumping reach and clearance ensures higher job efficiency while the low noise design and roomy cabin that guarantees a happier operator.

Standard Features include:

- Pre-cleaner
- Dual Element Air Cleaner
- ROPS/FOPS (ISO) Guards
- Low emissions
- Big Load Capacity
- Hydraulic Bucket-Leveling
- TCM Quick Carrier
- Transparent Screen
- Front and Rear Working Lights
- Overhead Instrument Panel
- Loading Pedal Locking System



SSL
SKID STEER LOADER

Availability and Specifications are subject to change without notice. Please consult your local TCM Skid Steer Loader Dealer for terms & conditions.

TCM SSL Dealer Details:

TCM
 A Hitachi Company

1300 139 429

www.tcmssl.com.au